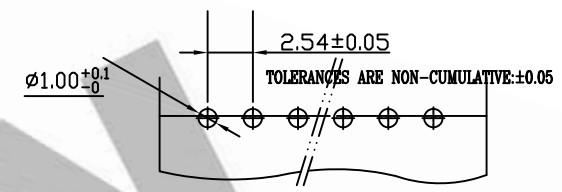
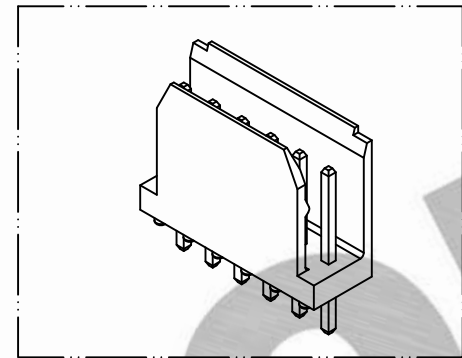
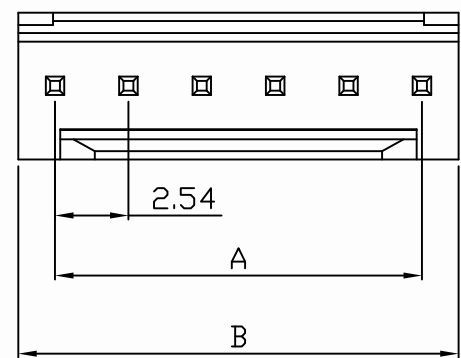


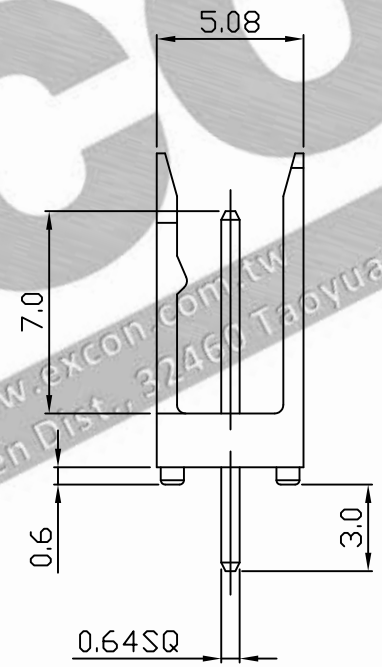
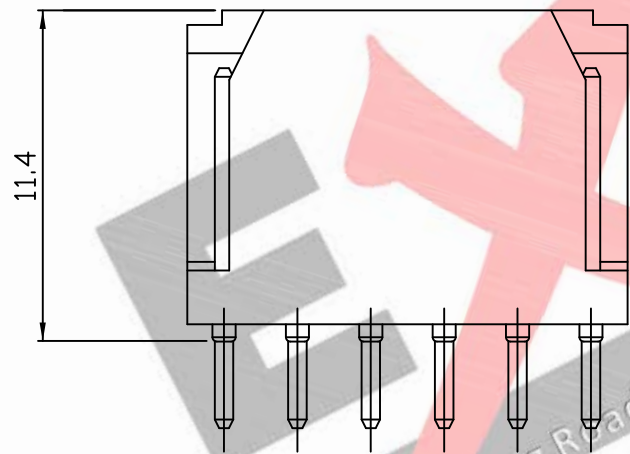
PART NO. 7803xxWV203  
 DWG NO. C7803WV



RECOMMENDED PCB LAYOUT  
 (PCB THK=1.0~1.6)

Ordering Information and Dimensions:

Part No.	Circuits	Dim A	Dim B
780302WV203	2	2.54	5.08
780303WV203	3	5.08	7.62
780304WV203	4	7.62	10.16
780305WV203	5	10.16	12.70
780306WV203	6	12.70	15.24
780307WV203	7	15.24	17.78
780308WV203	8	17.78	20.32
780309WV203	9	20.32	22.86
780310WV203	10	22.86	25.40
780311WV203	11	25.40	27.94
780312WV203	12	27.94	30.48
780313WV203	13	30.48	33.02
780314WV203	14	33.02	35.56
780315WV203	15	35.56	38.10
780316WV203	16	38.10	40.64
780318WV203	18	43.18	45.72



- NOTE:
1. Wafer Material: PBT UL94V-0  
Pin/Pos Material: brass bronze.
  2. Plated: Tin-plated 50u" min
  3. Insulation resistance: 1000MΩ min.
  4. Withstand voltage: 1500V AC/minute.
  5. Current rating: 3A AC/DC.
  6. Voltage rating: 250V AC/DC

UNLESS OTHERWISE SPECIFIED TOLERANCES			
3 PLACE ±0.5 ±0.10			
2 PLACE ±1.5 ±0.25			
1 PLACE ±2.0 ±0.50			
ANGLE DIM			
REV.	REVISION	DIS	DATE
SCALE	REV.	PAGE:	UNIT mm
4/1	A	1	THIRD ANGLE PROJECTION

**EXCON**

**EXCON TECHNOLOGY COMPANY**

PART.NO  
7803xxWV203

