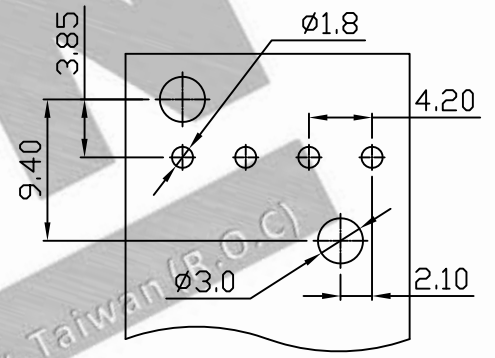
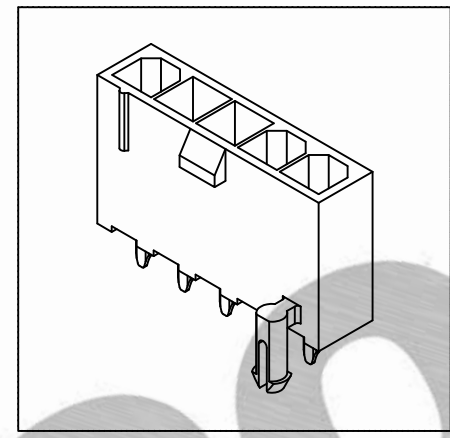
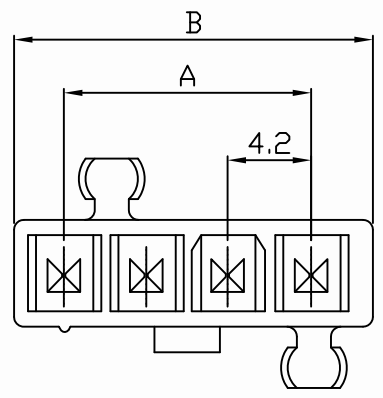
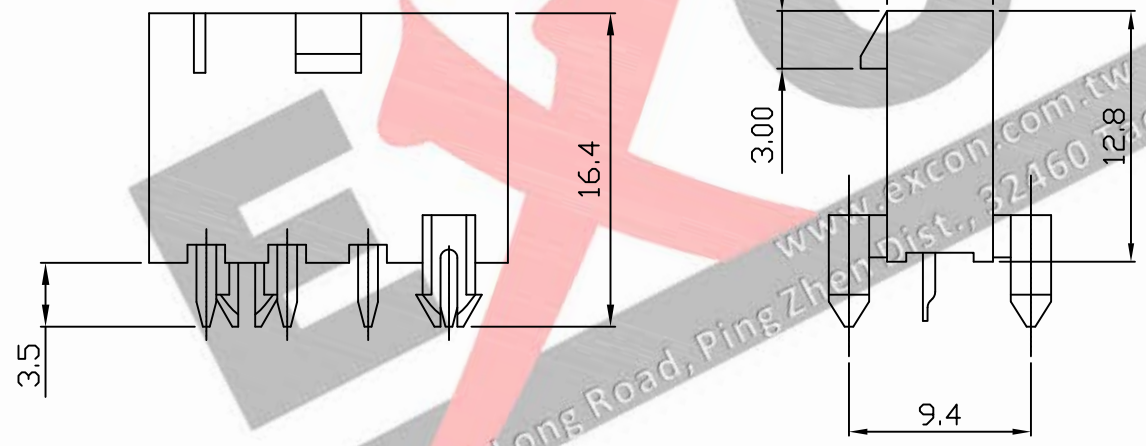


PART NO. 4202xxWSxxx
 DWG NO. C4202WS



Panel Layout



Dimensional & Ordering Information:

Part No.		Circuits	Dim A	Dim B
NY66 UL94V0	NY66 UL94V2			
420202WS001	420202WS051	2	4.2	9.6
420203WS001	420203WS051	3	8.4	13.8
420204WS001	420204WS051	4	12.6	18.0
420205WS001	420205WS051	5	16.8	22.2

NOTE:

- Housing Material: Nylon 66 UL94V0 or V2
- Color: Natural
- Withstand voltage: 1500V AC/minute.
- Current rating: 5A AC/DC.
- Voltage rating: 600V AC/DC

UNLESS OTHERWISE SPECIFIED TOLERANCES
 3 PLACE ±0.5 ±0.10
 2 PLACE ±1.5 ±0.25
 1 PLACE ±2.0 ±0.50
 ANGLE DIM



EXCON TECHNOLOGY COMPANY

REV.	REVISION		DIS	DATE
SCALE	REV.	PAGE:	UNIT	MM
4/1	A	1	THIRD ANGLE PROJECTION	

DWG NO: C4202WS

PART.NO: 4202xxWSxxx