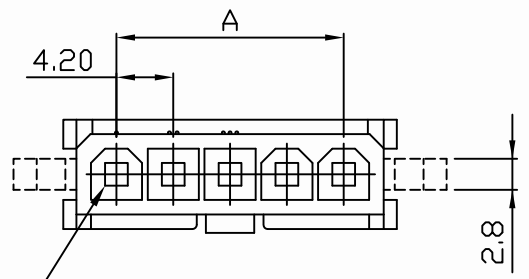
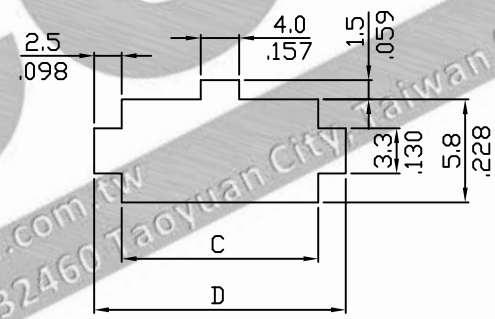
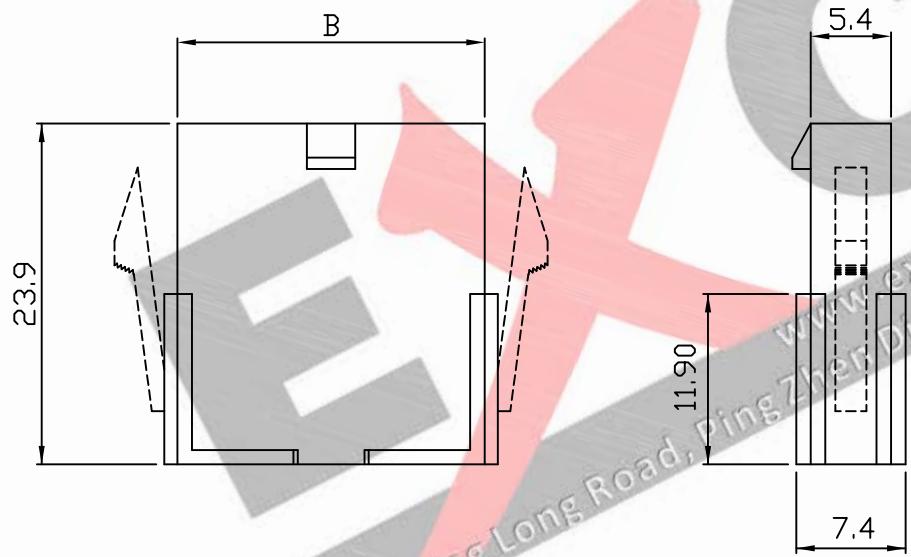
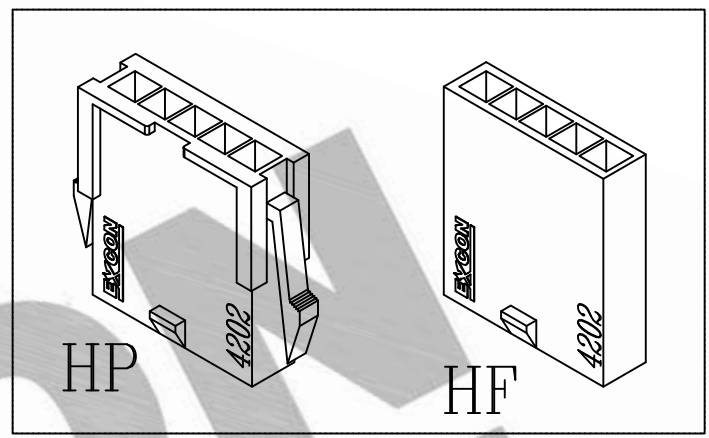


10 9 8 7 6 5 4 3 2 1

PART NO. 4202xxHPxxx
 DWG NO. C4202HP



1st Circuit



Panel Layout

Circuits	Dim C	Dim D
2	10.0(.394)	15.0(.591)
3	14.2(.559)	19.2(.756)
4	18.4(.724)	23.4(.921)
5	22.6(.890)	27.6(1.087)

Dimensional & Ordering Information:

Panel mount				Free hanging				Circuits	Dim A	Dim B
NY66 UL94V0	NY66 UL94V2	NY66 UL94V0	NY66 UL94V2	NY66 UL94V0	NY66 UL94V2	NY66 UL94V0	NY66 UL94V2			
420202HP001	420202HP051	420202HF001	420202HF051	2	4.2	9.6				
420203HP001	420203HP051	420203HF001	420203HF051	3	8.4	13.8				
420204HP001	420204HP051	420204HF001	420204HF051	4	12.6	18.0				
420205HP001	420205HP051	420205HF001	420205HF051	5	16.8	22.2				

NOTE:

- Housing Material: Nylon 66 UL94V0 or V2
- Color: Natural
- Withstand voltage: 1500V AC/minute.
- Current rating: 5A AC/DC.
- Voltage rating: 600V AC/DC

UNLESS OTHERWISE SPECIFIED TOLERANCES
 3 PLACE ±0.5 ±0.10
 2 PLACE ±1.5 ±0.25
 1 PLACE ±2.0 ±0.50
 ANGLE DIM



EXCON TECHNOLOGY COMPANY

REV.	REVISION	DIS	DATE	SCALE	REV.	PAGE	UNIT	MM	DWG NO:	PART.NO
4/1	A	1					THIRD ANGLE PROJECTION		C4202HP	4202xxHPxxx

10 9 8 7 6 5 4 3 2 1