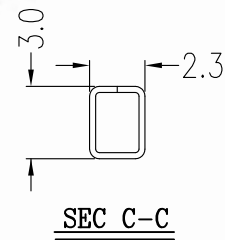
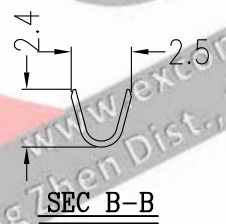
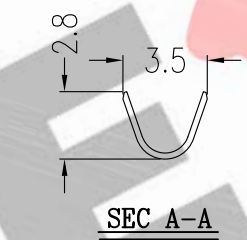
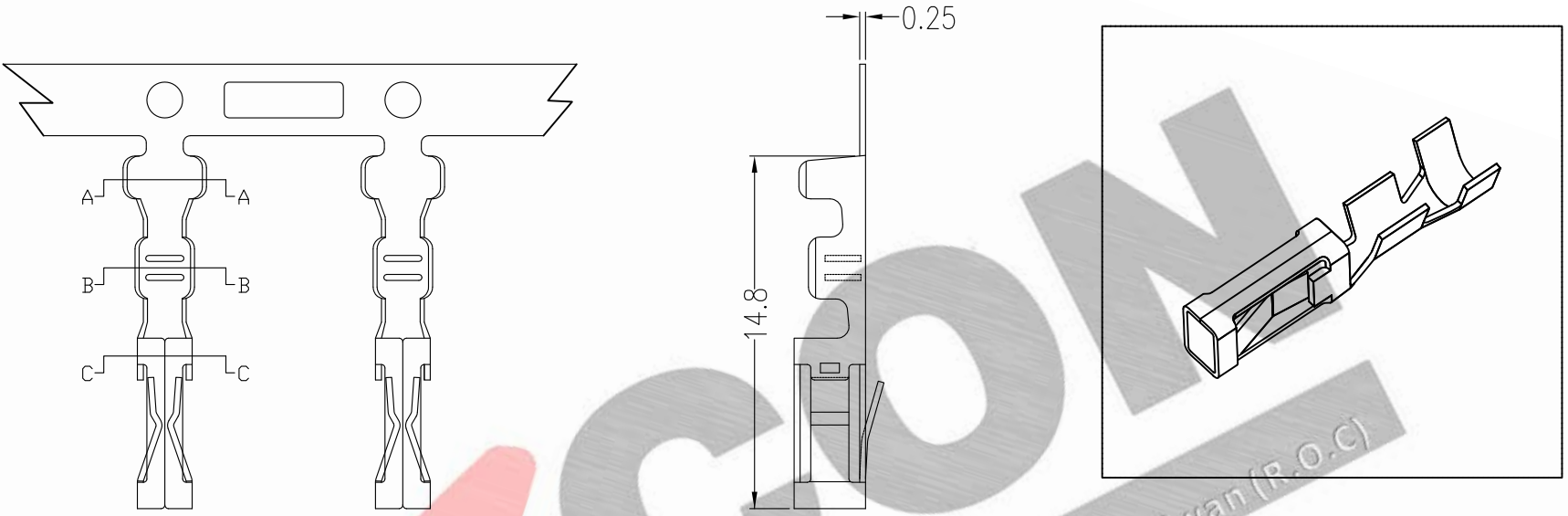


10 9 8 7 6 5 4 3 2 1

PART NO. 397100TC351
 DWG NO. C3971TC



- NOTE:
1. Terminal Material: Phosphor bronze
 2. Plated: Tin-plated 50u"min.
 3. Applicable wires: AWG#18-#22
 4. Insulation O.D.: 1.8-2.3mm
 5. Q'ty / reel:7,000 pcs

				UNLESS OTHERWISE SPECIFIED TOLERANCES		EXCON EXCON TECHNOLOGY COMPANY
				3 PLACE ±0.5 ±0.10		
				2 PLACE ±1.5 ±0.25		PART.NO
				1 PLACE ±2.0 ±0.50		
REV.	REVISIONI			DIS	DATE	ANGLE DIM
SCALE	REV.	PAGE:	UNIT	mm		DWG NO:
5/1	A	1	THIRD ANGLE PROJECTION			C3971TC
					PART.NO	
					397100TC351	

10 9 8 7 6 5 4 3 2 1

F
E
D
C
B
A

F
E
D
C
B
A