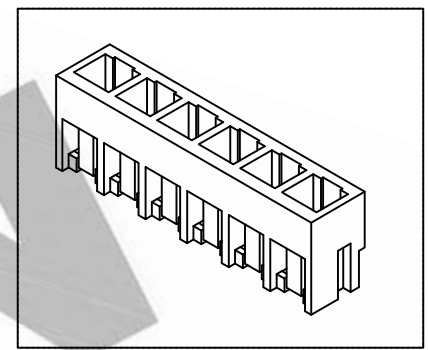
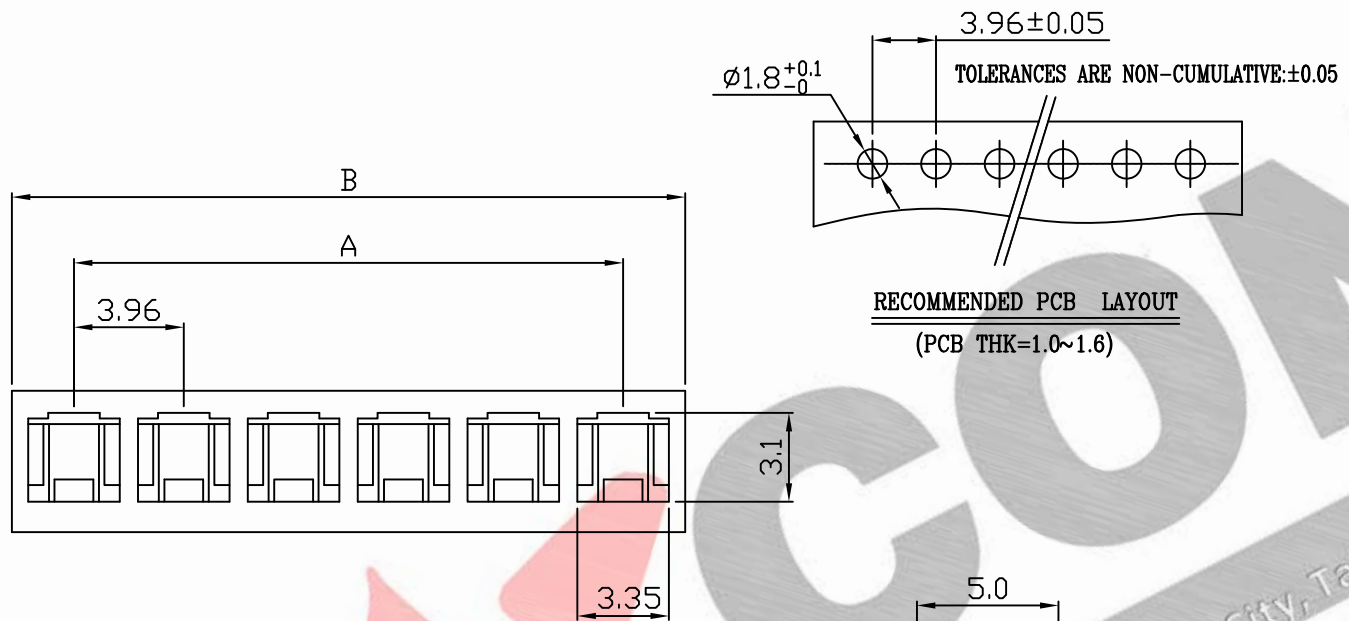
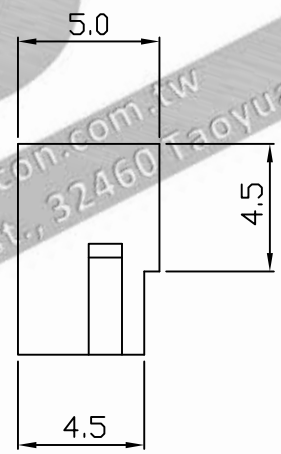
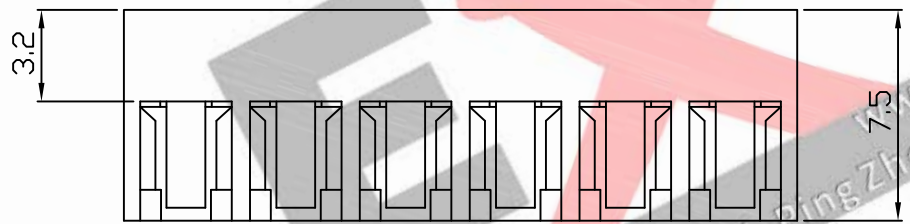


10 9 8 7 6 5 4 3 2 1

PART NO. 3964xxHA001
 DWG NO. C3964HA



RECOMMENDED PCB LAYOUT
 (PCB THK=1.0~1.6)



Dimensional & Ordering Information:

Part No.	Circuits	Dim A	Dim B
396402HA001	2	3.96	8.42
396403HA001	3	7.92	12.38
396404HA001	4	11.88	16.34
396405HA001	5	15.84	20.30
396406HA001	6	19.80	24.26
396407HA001	7	23.76	28.22
396408HA001	8	27.72	32.18
396409HA001	9	31.68	36.14
396410HA001	10	35.64	40.10
396411HA001	11	39.60	44.06
396412HA001	12	43.56	48.02
396413HA001	13	47.52	51.98
396414HA001	14	51.48	55.94
396415HA001	15	55.44	59.90

NOTE:

- Housing Material: Nylon 66 UL94V0
- Color: Natural
- Insulation resistance: 1000M Ω min.
- Withstand voltage: 800V AC/minute.
- Current rating: 5A AC/DC.
- Voltage rating: 250V AC/DC

				UNLESS OTHERWISE SPECIFIED TOLERANCES	
				3 PLACE $\pm 0.5 \pm 0.10$	
				2 PLACE $\pm 1.5 \pm 0.35$	
				1 PLACE $\pm 2.0 \pm 0.50$	
				ANGLE DIM	
REV.	REVISION		DIS	DATE	
SCALE	REV.	PAGE:	UNIT	mm	
4/1	A	1	THIRD ANGLE PROJECTION	C3964HA	

EXCON

EXCON TECHNOLOGY COMPANY

PART.NO

3964xxHA001

10 9 8 7 6 5 4 3 2 1