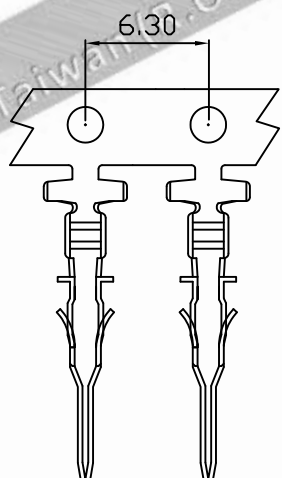
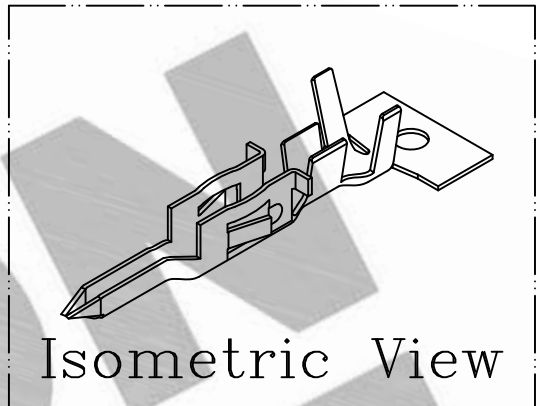
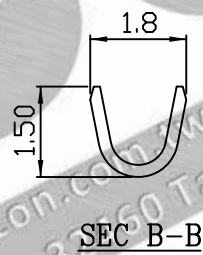
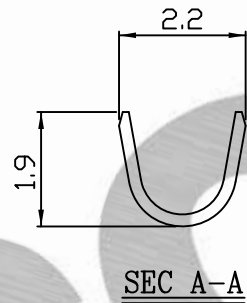
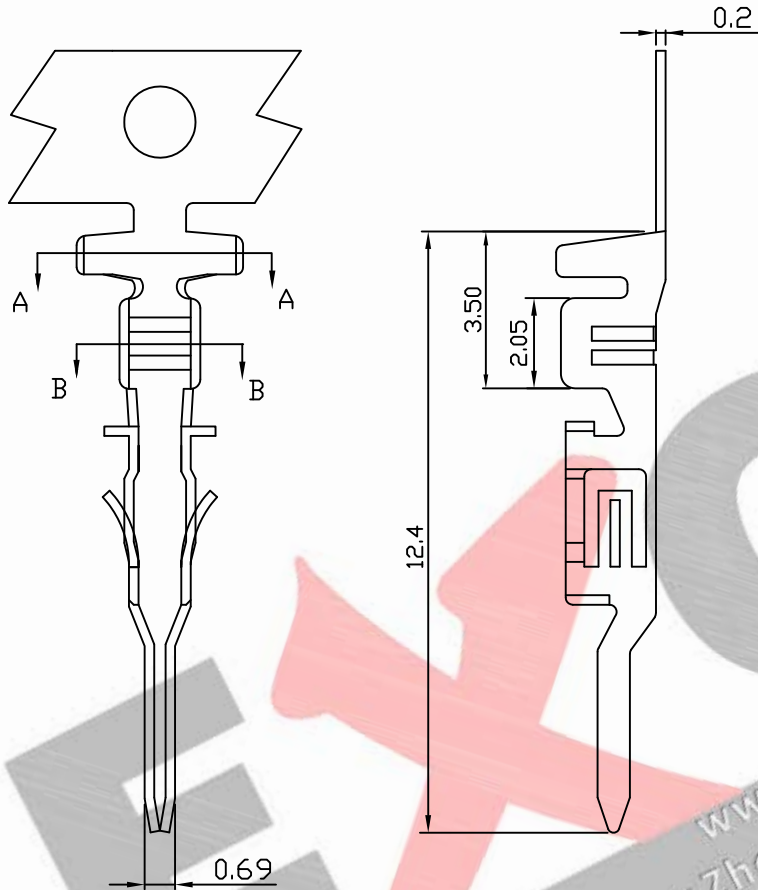


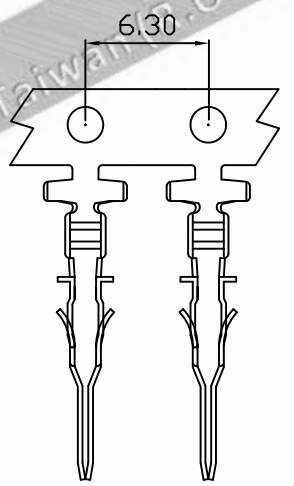
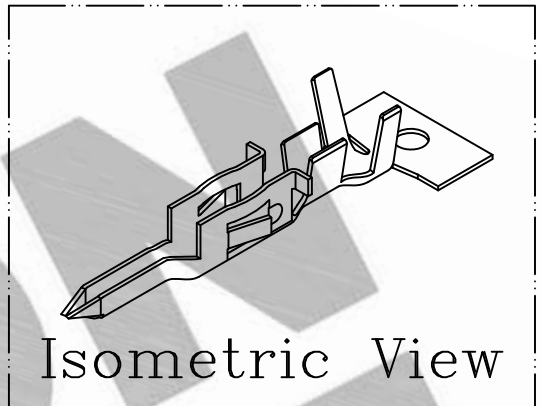
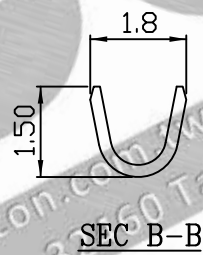
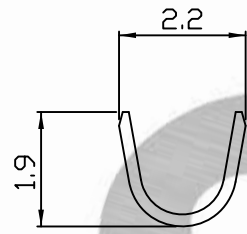
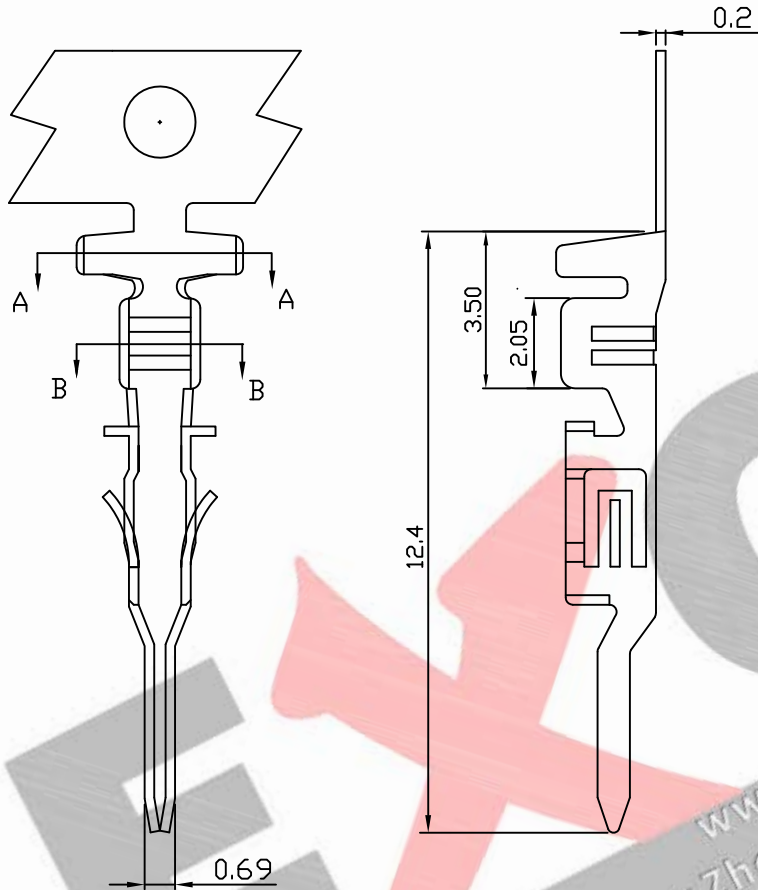
PART NO. 300200TP051  
 DWG NO. C3002TP



- NOTE:
1. Terminal Material: Brass
  2. Plated: Tin pre-plated 50u"min.
  3. Current rating: 5A AC/DC
  4. Voltage rating: 250V AC/DC
  5. Withstand voltage: 1500V AC/minute
  6. Insulation resistance: 1000MΩ min
  7. Applicable wires: AWG#26-#30
  8. Insulation O.D.: 0.8~1.3mm
  9. Q'ty / reel: 15,000pcs

				UNLESS OTHERWISE SPECIFIED TOLERANCES		<b>EXCON</b> EXCON TECHNOLOGY COMPANY
				3 PLACE ±0.5 ±0.10 2 PLACE ±1.5 ±0.25 1 PLACE ±2.0 ±0.50 ANGLE DIM		
REV.	REVISION			DIS	DATE	
SCALE	REV.	PAGE:	UNIT	mm		DWG NO:
4/1	A	1/1	THIRD ANGLE PROJECTION			C3002TP
					DWG NO:	PART.NO
					C3002TP	300200TP051

PART NO. 300200TP351  
 DWG NO. C3002TP



- NOTE:
1. Terminal Material: phosphor
  2. Plated: Tin pre-plated 50u"min.
  3. Current rating: 5A AC/DC
  4. Voltage rating: 250V AC/DC
  5. Withstand voltage: 1500V AC/minute
  6. Insulation resistance: 1000MΩ min
  7. Applicable wires: AWG#26-#30
  8. Insulation O.D.: 0.8~1.3mm
  9. Q'ty / reel: 15,000pcs

UNLESS OTHERWISE SPECIFIED TOLERANCES		 <b>EXCON TECHNOLOGY COMPANY</b>	
3 PLACE ±0.5 ±0.10			
2 PLACE ±1.5 ±0.25		PART.NO	
1 PLACE ±2.0 ±0.50		300200TP351	
ANGLE DIM		DWG NO:	
C3002TP		PART.NO	
C3002TP		300200TP351	

REV.	REVISION	DIS	DATE
B	DWG RELEASE	Christy	1/11 2016
SCALE	REV.	PAGE:	UNIT mm
4/1	B	1/1	THIRD ANGLE PROJECTION