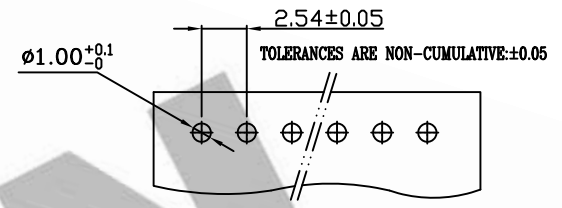
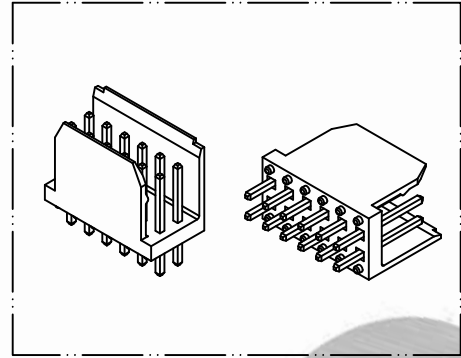
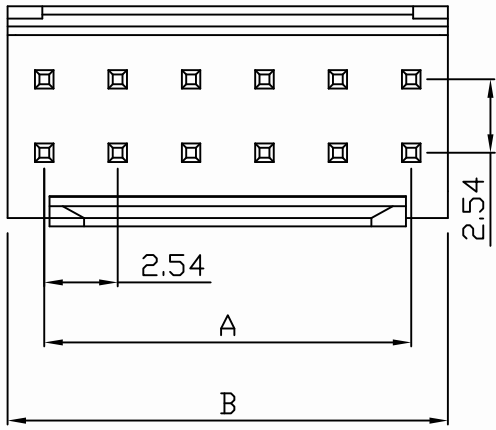
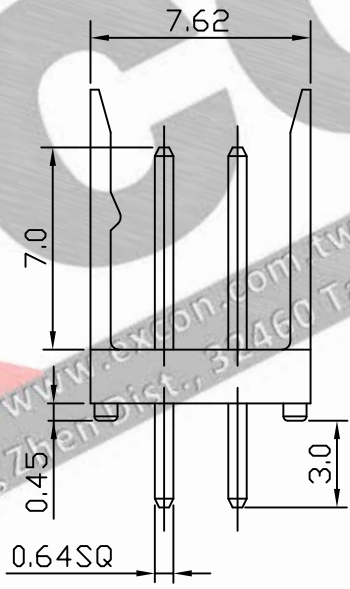
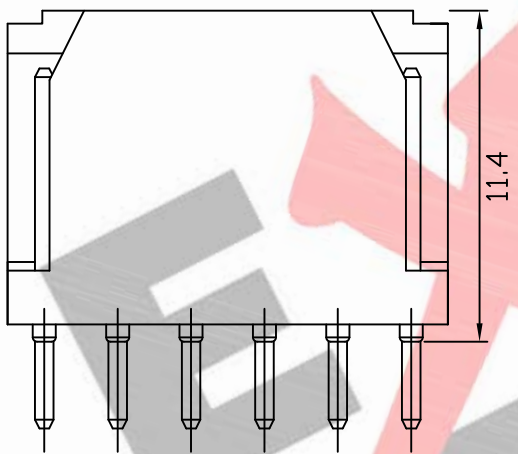


PART NO. 2551xxWV203  
 DWG NO. C2551WV



RECOMMENDED PCB LAYOUT  
 (PCB THK=1.0~1.6)



Ordering Information and Dimensions:

Part No.	Circuits	Dim A	Dim B
255106WV203	6	5.08	7.62
255108WV203	8	7.62	10.16
255110WV203	10	10.16	12.70
255112WV203	12	12.70	15.24
255114WV203	14	15.24	17.78
255116WV203	16	17.78	20.32
255118WV203	18	20.32	22.86
255120WV203	20	22.86	25.40
255122WV203	22	25.40	27.94
255124WV203	24	27.94	30.48
255126WV203	26	30.48	33.02
255128WV203	28	33.02	35.56
255130WV203	30	35.56	38.10
255132WV203	32	38.10	40.64
255134WV203	34	40.64	43.18
255136WV203	36	43.18	45.72

NOTE:

1. Wafer Material: PBT UL94V-0  
Pin/Pos Material: brass bronze.
2. Plated: Tin-plated 50u" min
3. Insulation resistance: 1000MΩ min.
4. Withstand voltage: 1000V AC/minute.
5. Current rating: 3A AC/DC.
6. Voltage rating: 250V AC/DC

				UNLESS OTHERWISE SPECIFIED TOLERANCES	
				3 PLACE ±0.5 ±0.10	
				2 PLACE ±1.5 ±0.35	
				1 PLACE ±2.0 ±0.50	
				ANGLE DIM	
REV.	REVISION			DIS	DATE
SCALE	REV.	PAGE:	UNIT	MM	
4/1	A	1	THIRD ANGLE PROJECTION		
				DWG NO: C2551WV	

**EXCON**

**EXCON TECHNOLOGY COMPANY**

---

PART.NO 2551xxWV203