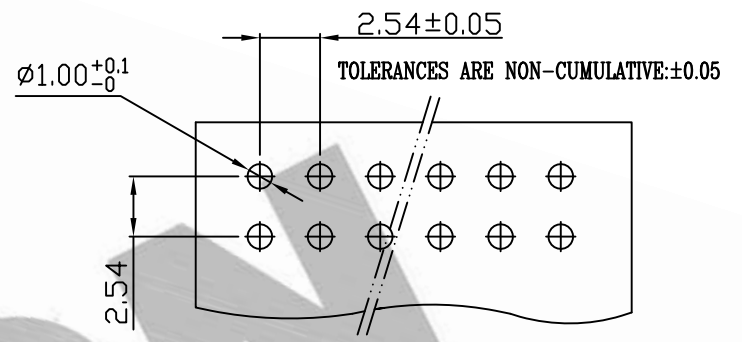
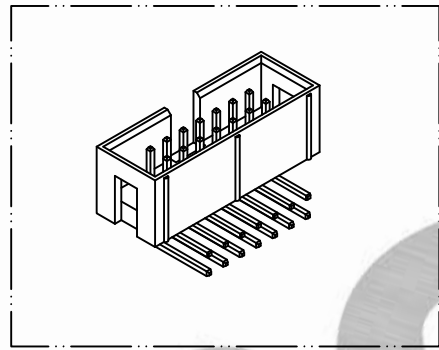
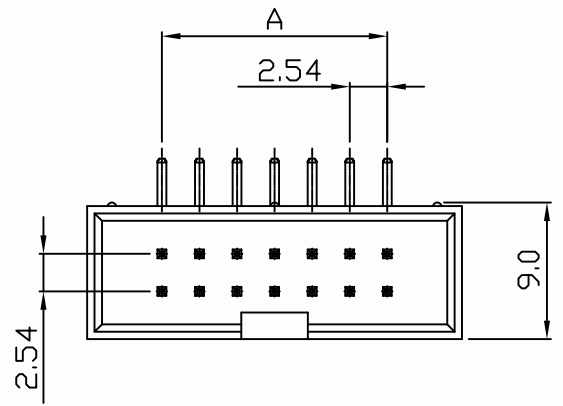


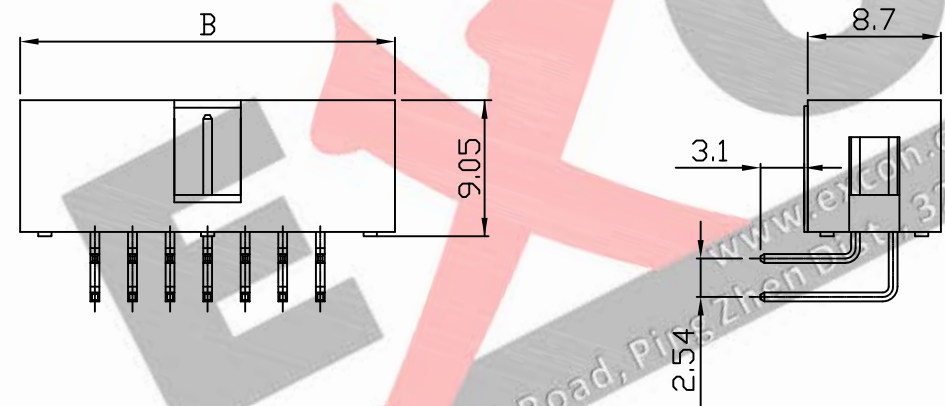
PART NO. 2544xxWR203
 DWG NO. C2544WR



RECOMMENDED PCB LAYOUT
 (PCB THK=1.0~1.6)

Dimensional & Ordering Information:

Part No.	POS	A	B
254406WR203	6	5.08	15.24
254408WR203	8	7.62	17.78
254410WR203	10	10.16	20.32
254414WR203	14	15.24	25.40
254416WR203	16	17.78	27.94
254420WR203	20	22.86	33.02
254424WR203	24	27.94	38.10
254426WR203	26	30.48	40.64
254430WR203	30	35.56	45.72
254434WR203	34	40.64	50.80
254440WR203	40	48.26	58.42
254444WR203	44	53.34	63.50
254450WR203	50	60.96	71.12
254460WR203	60	73.66	83.82
254464WR203	64	78.24	88.40



NOTE:

1. Wafer Material: PBT 94V-0
Pin/Pos Material: brass bronze.
2. Plated: Gold,flash
3. Insulation resistance: 1000MΩ min.
4. Withstand voltage: 1000V AC/minute.
5. Current rating: 3A AC/DC.
6. Voltage rating: 250V AC/DC

UNLESS OTHERWISE SPECIFIED TOLERANCES			
3 PLACE ±0.5 ±0.10			
2 PLACE ±1.5 ±0.25			
1 PLACE ±2.0 ±0.50			
ANGLE DIM			
REV.	REVISION		DIS DATE
SCALE	REV.	PAGE:	UNIT mm
2/1	A	1	THIRD ANGLE PROJECTION

EXCON

EXCON TECHNOLOGY COMPANY

PART.NO

2544xxWR203