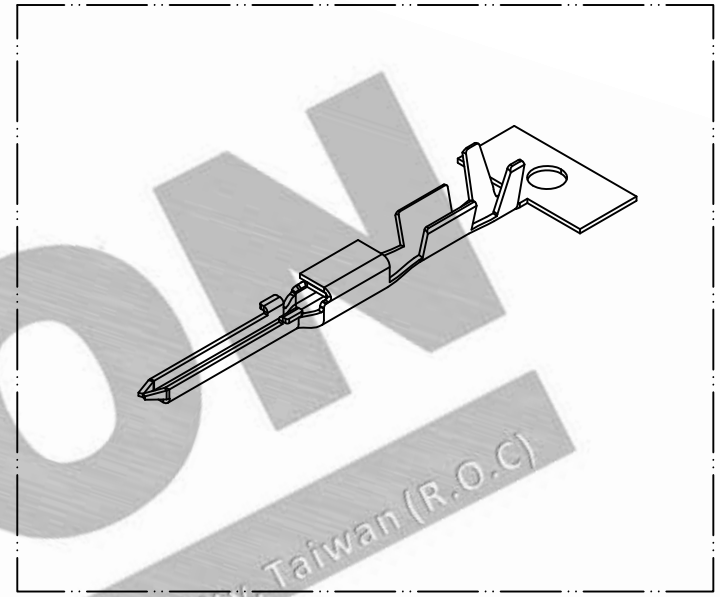
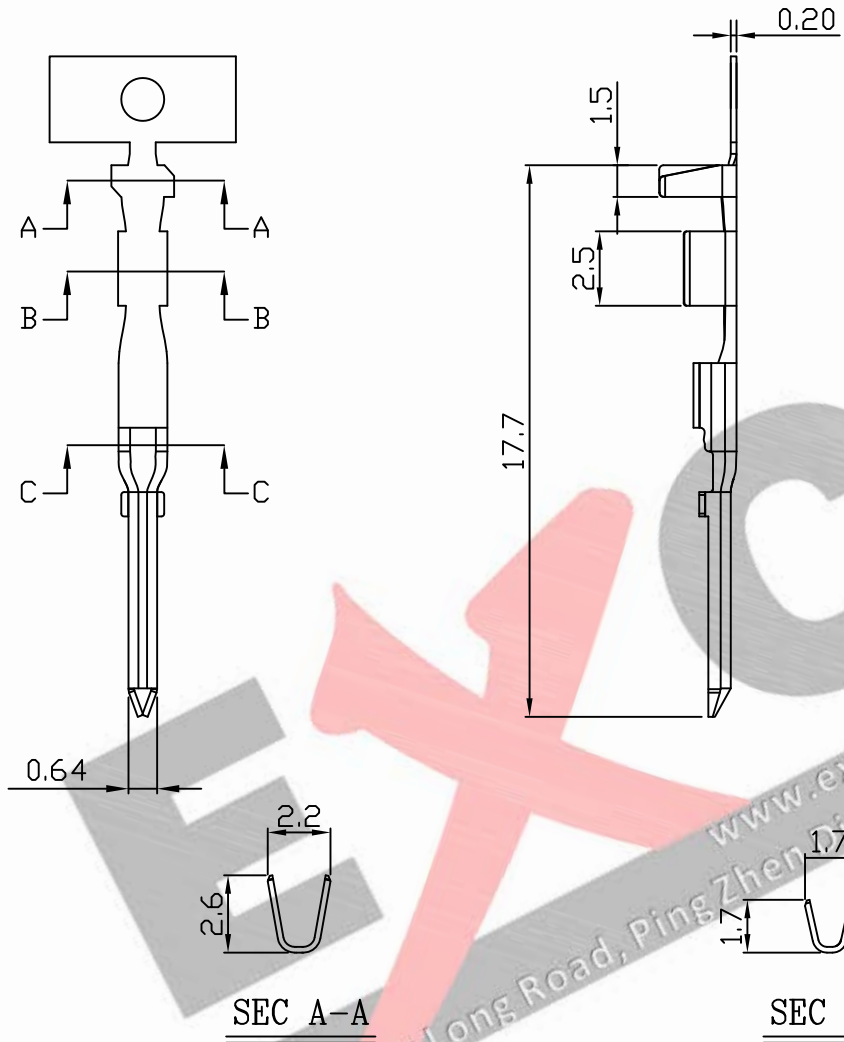


PART NO. 254300TA001  
 DWG NO. C2543TA



NOTE:

1. Terminal Material: brass bronze.
2. Plated: Tin plated 50" mim
3. Applicable wires: AWG#28-#22
4. Insulation O.D.: 1.2-1.7mm
5. Q'ty / reel:10,000pcs

				UNLESS OTHERWISE SPECIFIED TOLERANCES		 <b>EXCON</b> <u>EXCON TECHNOLOGY COMPANY</u>
				3 PLACE ±0.5 ±0.10		
				2 PLACE ±1.5 ±0.25		PART.NO
				1 PLACE ±2.0 ±0.50		
				ANGLE DIM		PART.NO
REV.	REVISIONI			DIS	DATE	
SCALE	REV.	PAGE:	UNIT	mm		
5/1	A	1	THIRD ANGLE PROJECTION			
				DWG NO:		
				C2543TA		