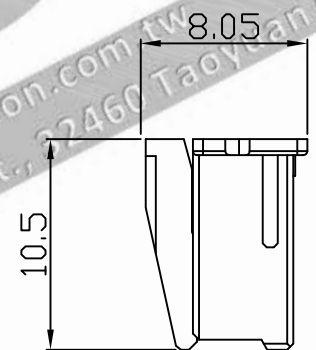
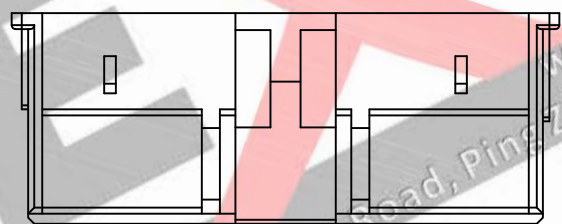
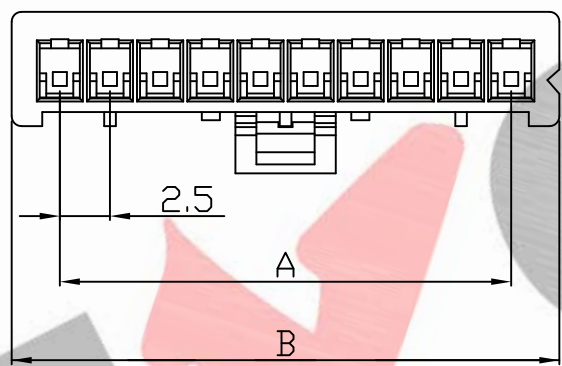
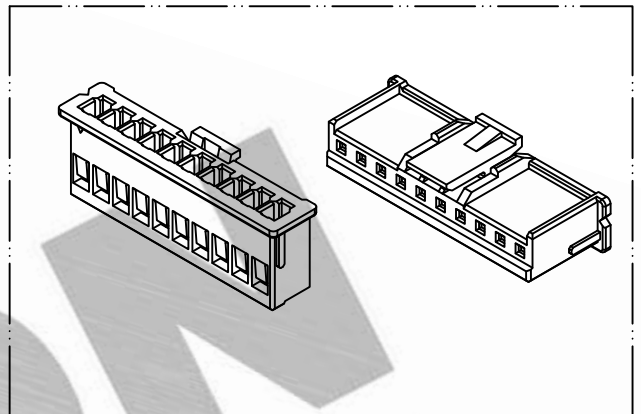
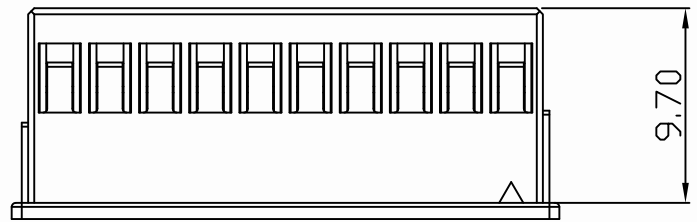


10 9 8 7 6 5 4 3 2 1

PART NO. 2517xxHB001  
 DWG NO. C2517HB



Dimensional & Ordering Information:

Part No.	Circuits	Dim A	Dim B
251702HB001	2	2.5	7.3
251703HB001	3	5.0	9.8
251704HB001	4	7.5	12.3
251705HB001	5	10.0	14.8
251706HB001	6	12.5	17.3
251707HB001	7	15.0	19.8
251708HB001	8	17.5	22.3
251709HB001	9	20.0	24.8
251710HB001	10	22.5	27.3
251711HB001	11	25.0	29.8
251712HB001	12	27.5	32.3
251713HB001	13	30.0	34.8
251714HB001	14	32.5	37.3
251715HB001	15	35.0	39.8
251716HB001	16	37.5	42.3
251717HB001	17	40.0	44.8
251718HB001	18	42.5	47.3
251719HB001	19	45.0	49.8
251720HB001	20	47.5	42.3

NOTE:

1. Housing Material: Nylon 66 UL 94V-0
2. Insulation resistance: 1000M Ω/min.
3. Withstand voltage: 1000V AC/minute.
4. Current rating: 3A AC/DC.
5. Voltage rating: 250V AC/DC

				UNLESS OTHERWISE SPECIFIED TOLERANCES	
				3 PLACE ±0.5 ±0.10	
				2 PLACE ±1.5 ±0.25	
				1 PLACE ±2.0 ±0.50	
				ANGLE DIM	
REV.	REVISION			DIS	DATE
SCALE	REV.	PAGE:	UNIT	mm	
5/1	A	1	THIRD ANGLE PROJECTION		
				DWG NO: C2517HB	

**EXCON**  
 EXCON TECHNOLOGY COMPANY

PART.NO  
 2517xxHB001

A

B

C

D

E

F

10 9 8 7 6 5 4 3 2 1