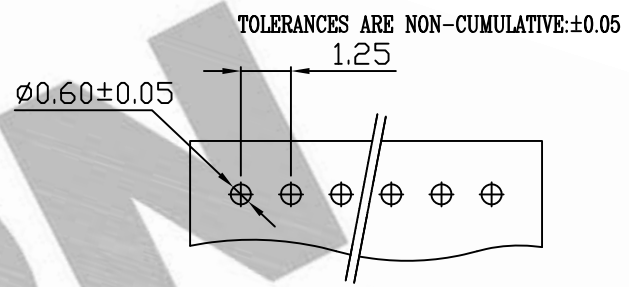
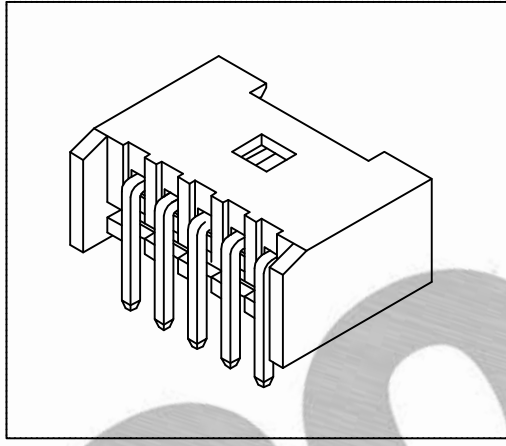
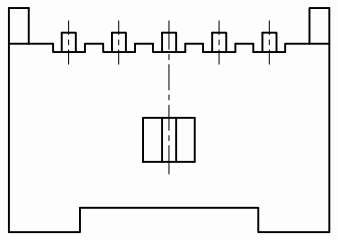
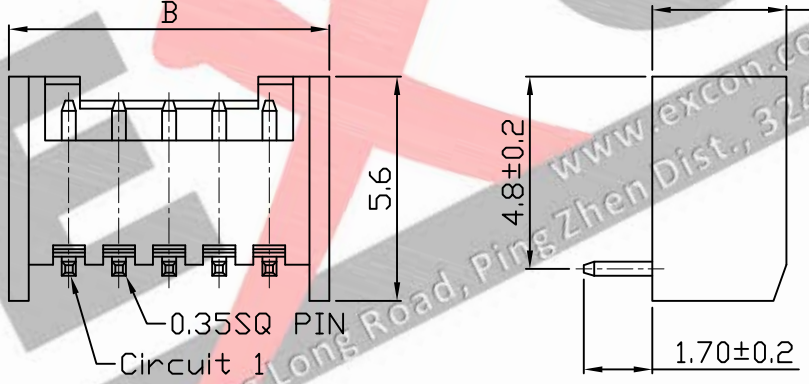
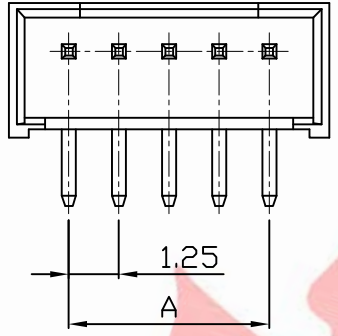


PART NO. 1252xxWR006
 DWG NO. C1252WR



RECOMMENDED PCB LAYOUT
 (PCB THK=1.0~1.6)



Dimensional & Ordering Information:

Part No.	Circuits	Dim A	Dim B
125202WR006	2	1.25	4.25
125203WR006	3	2.50	5.50
125204WR006	4	3.75	6.75
125205WR006	5	5.00	8.00
125206WR006	6	6.25	9.25
125207WR006	7	7.50	10.50
125208WR006	8	8.75	11.75
125209WR006	9	10.00	13.00
125210WR006	10	11.25	14.25
125211WR006	11	12.50	15.50
125212WR006	12	13.75	16.75
125213WR006	13	15.00	18.00
125214WR006	14	16.25	19.25
125215WR006	15	17.50	20.50

NOTE:

1. Wafer Material: Nylon 66,UL94V-0
2. Plated: Tin-plated 50u"min.
3. Insulation resistance: 100M ohm/min.
4. Withstand voltage: 500V AC/minute.
5. Current retang: 1A AC/DC.
6. Voltage rating: 200V AC/DC

UNLESS OTHERWISE SPECIFIED TOLERANCES			
3 PLACE ± 0.5 ± 0.10			
2 PLACE ± 1.5 ± 0.25			
1 PLACE ± 2.0 ± 0.50			
ANGLE DIM			
REV.	REVISION	DIS	DATE
SCALE	REV.	PAGE:	UNIT mm
5/1	B	1	THIRD ANGLE PROJECTION
DWG NO:			C1252WR

EXCON

EXCON TECHNOLOGY COMPANY

PART.NO

1252xxWR006