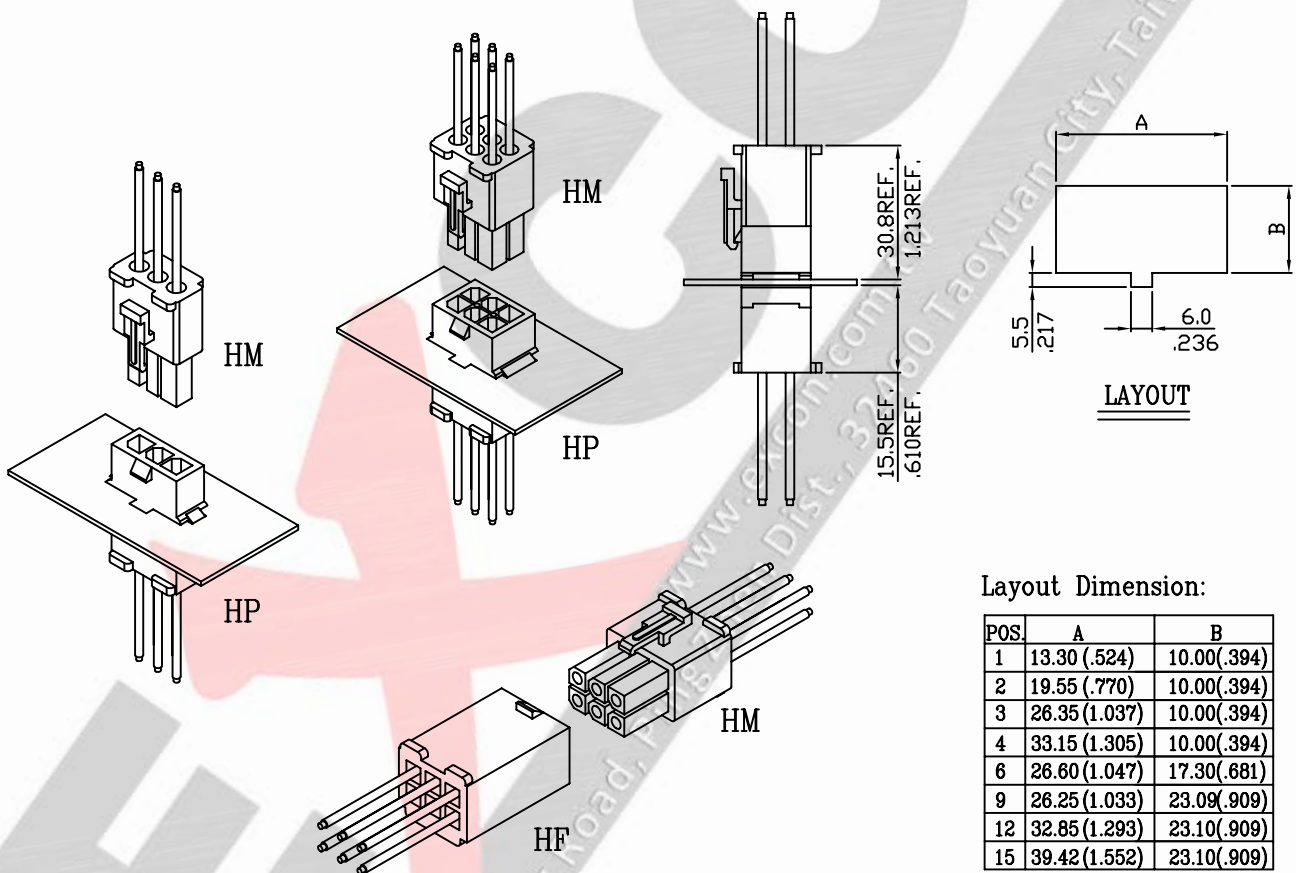


### ■ Specification

1. Current rating: 5A AC/DC
2. Voltage rating: 600V AC/DC
3. Withstand voltage: 1500V AC/minute
4. Insulation resistance: 1000M  $\Omega$  min
5. Contact resistance: 10m  $\Omega$  max.
6. Temperature range:  $-25^{\circ}\text{C}$  to  $+105^{\circ}\text{C}$
7. Applicable panel thickness: 0.8~2.0mm
8. Applicable wires: AWG#24-#14  
Insulation O.D.: 1.5-3.5mm
9. Circuits:1,2,3,4,6,9,12,15



### Part Code Information:

6606-WW XX YYY

① ② ③ ④

① Series Name

② Circuits Number  
01,02,03,04,06,09,12,15  
00 For Terminal

③ Product Type

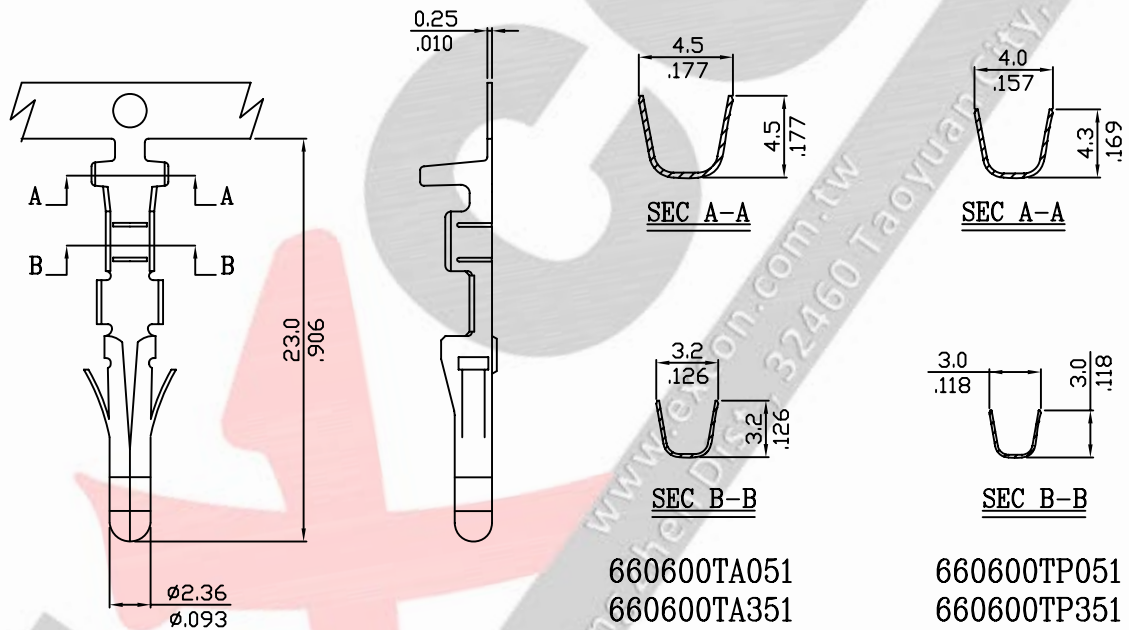
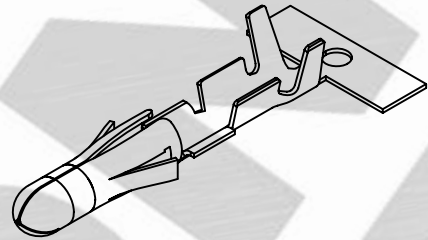
HF=Female housing,Free hanging  
HP=Female housing,Panel mount  
HM=Male housing  
TB=Terminal,B type  
TM=Terminal,M type  
TA=Terminal,A type  
TP=Terminal,P type

④ Material/Finishing/Color

051=Brass bronze,Tin Pre-Plated  
351=Phosphor,Tin Pre-Plated  
051=NY66 UL94V2,Natural Color

### Crimp Terminal

1. Part No.: 660600TA051,660600TP051  
and 660600TA351,660600TP351
2. Part Name: 6606 Terminal
3. Material: Brass/Phosphor bronze
4. Finishing: Tin pre-plated
5. Used in 6606xxHF,6606xxHP series Housing



### Ordering Information and Dimensions:

Part No.	Wire Range	Insulation O.D.	Material	Finishing	Q'ty/reel
660600TA051	AWG#14~#20	1.7-4.0mm	Brass	Tin pre-plated	4,000pcs
660600TP051	AWG#20~#24	1.3-1.7mm			5,000pcs
660600TA351	AWG#14~#20	1.7-4.0mm	Phosphor		4,000pcs
660600TP351	AWG#20~#24	1.3-1.7mm			5,000pcs

### Part Code Information:

6606-WW XX YYY

① ② ③ ④

① Series Name

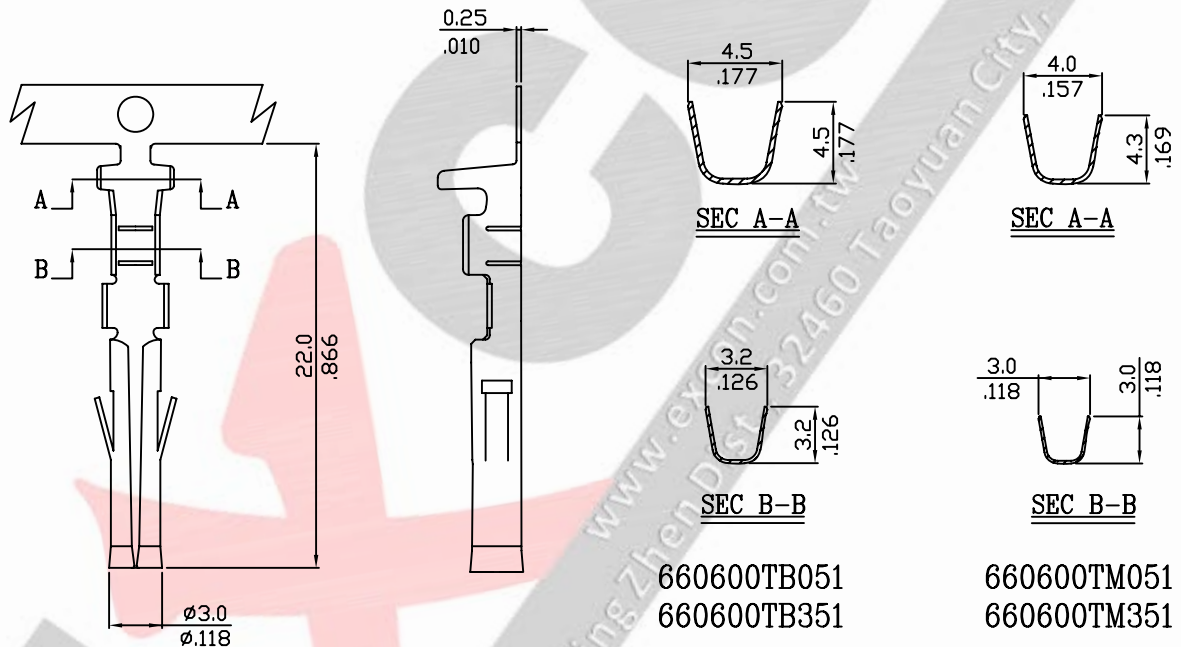
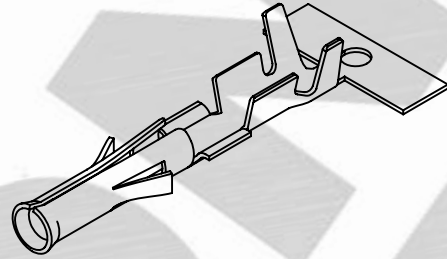
② Circuits Number  
00 For Terminal

③ Product Type  
TA=Terminal,A Type  
TP=Terminal,P Type

④ Material/Finishing/Color  
051=Brass bronze,Tin Pre-Plated  
351=Phosphor,Tin Pre-Plated

### Crimp Terminal

1. Part No.: 660600TB051,660600TM051  
and 660600TB351,660600TM351
2. Part Name: 6606 Terminal
3. Material: Brass/Phosphor bronze
4. Finishing: Tin pre-plated
5. Used in 6606xxHM series Housing



### Ordering Information and Dimensions:

Part No.	Wire Range	Insulation O.D.	Material	Finishing	Q'ty/reel
660600TB051	AWG#14~#20	1.7-4.0mm	Brass	Tin pre-plated	4,000pcs
660600TM051	AWG#20~#24	1.3-1.7mm			5,000pcs
660600TB351	AWG#14~#20	1.7-4.0mm	Phosphor		4,000pcs
660600TM351	AWG#20~#24	1.3-1.7mm			5,000pcs

### Part Code Information:

6606-WW XX YYY

① ② ③ ④

① Series Name

② Circuits Number  
00 For Terminal

③ Product Type

TB=Terminal,B Type  
TM=Terminal,M Type

④ Material/Finishing/Color

051=Brass bronze,Tin Pre-Plated  
351=Phosphor,Tin Pre-Plated

### Housing

1. Part No.: 6606xxHF051,6606xxHP051
2. Part Name: 6606 Housing
3. Material:Nylon 66 UL 94V2
4. Color: Natural

### Housing

1. Part No.: 6606xxHM051
2. Part Name: 6606 Housing
3. Material:Nylon 66 UL 94V2
4. Color: Natural

Circuits	Dimensional Information		
	Female		Male
1	660601HF051	660601HP051	660601HM051
2	6606021HF051	660602HP051	660602HM051

### Part Code Information:

6606-WW XX YYY

① ② ③ ④

① Series Name

② Circuits Number

01,02,03,04,06,09,12,15

③ Product Type

HF=Female housing,Free hanging

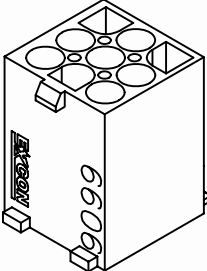
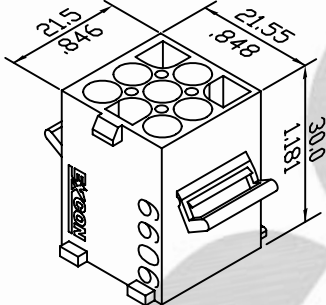
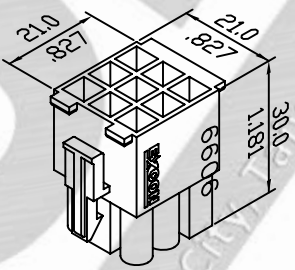
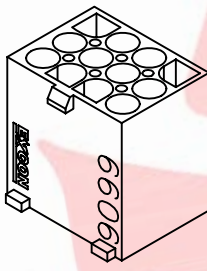
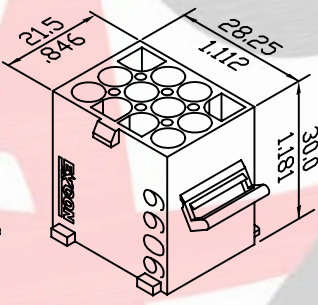
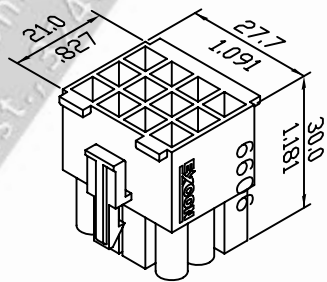
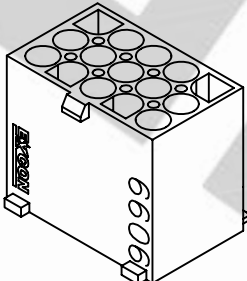
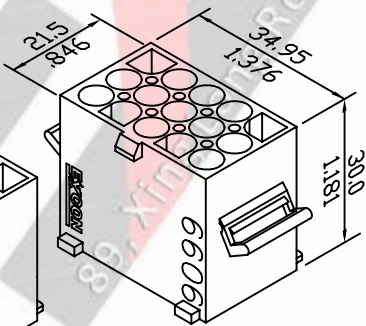
HP=Female housing,Panel mount

HM=Male housing

④ Material/Finishing/Color

051=Nylon66 UL 94V2, Natural color

Circuits	Dimensional Information		
	Female		Male
3	<p>660603HF051</p>	<p>660603HP051</p>	<p>660603HM051</p>
4	<p>660604HF051</p>	<p>660604HP051</p>	<p>660604HM051</p>
6	<p>660606HF051</p>	<p>660606HP051</p>	<p>660606HM051</p>

Circuits	Dimensional Information		
	Female		Male
9	<p>660609HF051</p> 	<p>660609HP051</p> 	<p>660609HM051</p> 
12	<p>660612HF051</p> 	<p>660612HP051</p> 	<p>660612HM051</p> 
15	<p>660615HF051</p> 	<p>660615HP051</p> 	<p>660615HM051</p> 